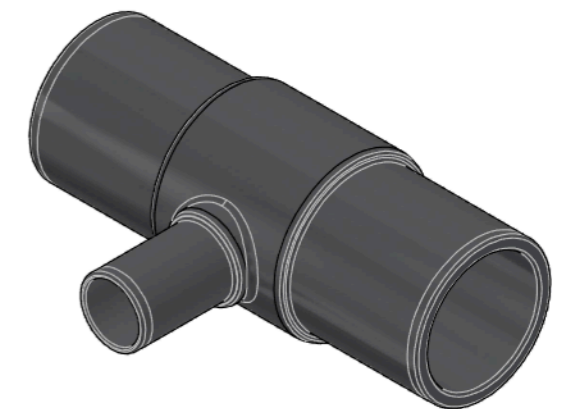


CODE	Weight lbs/pc	Volume ft ³ /pc	ND1	OD1	D	S1 min	L1	ND2	OD2	S2 min	L2	L	H
12EITRS02034	0.712	0.0745	2" IPS	2.375	2.68	0.216	2.76	3/4" IPS	1.050	0.095	1.97	9.45	5.08
12EITRS0201	0.725	0.0745	2" IPS	2.375	2.68	0.216	2.76	1" IPS	1.315	0.119	1.97	9.45	5.08
12EITRS02114	0.754	0.0745	2" IPS	2.375	2.68	0.216	2.76	1 1/4" IPS	1.660	0.151	2.17	9.45	5.08
12EITRS0301	1.424	0.1481	3" IPS	3.500	3.90	0.318	3.31	1" IPS	1.315	0.119	2.36	10.00	6.56
12EITRS03114	1.444	0.1481	3" IPS	3.500	3.90	0.318	3.31	1 1/4" IPS	1.660	0.151	2.36	10.00	6.56
12EITRS0302	1.539	0.1569	3" IPS	3.500	3.90	0.318	3.31	2" IPS	2.375	0.216	2.76	10.00	6.95
12EITRS04114	2.965	0.2562	4" IPS	4.500	4.80	0.409	3.43	1 1/4" IPS	1.660	0.151	2.17	12.60	7.32
12EITRS0402	3.053	0.2744	4" IPS	4.500	4.80	0.409	3.43	2" IPS	2.375	0.216	2.76	12.60	7.84
12EITRS0403	3.274	0.2947	4" IPS	4.500	4.80	0.409	3.43	3" IPS	3.500	0.318	3.35	12.60	8.42
12EITRS0602	8.111	0.6861	6" IPS	6.625	6.77	0.603	4.72	2" IPS	2.375	0.216	2.76	17.87	9.80
12EITRS0603	8.32	0.733	6" IPS	6.625	6.77	0.603	4.72	3" IPS	3.500	0.318	3.31	17.87	10.47
12EITRS0604	8.699	0.761	6" IPS	6.625	6.77	0.603	4.72	4" IPS	4.500	0.409	3.43	17.87	10.87
12EITRS0803	18.7	1.527	8" IPS	8.625	9.17	0.785	5.51	3" IPS	3.500	0.318	3.35	22.05	13.05
12EITRS0804	18.966	1.5364	8" IPS	8.625	9.17	0.785	5.51	4" IPS	4.500	0.409	3.43	22.05	13.13
12EITRS0806	20.095	1.6885	8" IPS	8.625	9.17	0.785	5.51	6" IPS	6.625	0.603	4.72	22.05	14.43
12EITRS1003	-	2.4267	10" IPS	10.750	11.34	0.977	6.10	3" IPS	3.500	0.318	3.31	25.59	14.45
12EITRS1004	-	2.4267	10" IPS	10.750	11.34	0.977	6.10	4" IPS	4.500	0.409	3.43	25.59	14.45
12EITRS1006	-	2.7944	10" IPS	10.750	11.34	0.977	6.10	6" IPS	6.625	0.603	4.72	25.59	16.64
12EITRS1008	-	2.8801	10" IPS	10.750	11.34	0.977	6.10	8" IPS	8.625	0.785	5.51	25.59	17.15
12EITRS1203	-	3.5482	12" IPS	12.750	12.99	1.159	7.60	3" IPS	3.500	0.318	3.31	30.55	15.45
12EITRS1204	-	3.5482	12" IPS	12.750	12.99	1.159	7.60	4" IPS	4.500	0.409	3.43	30.55	15.45
12EITRS1206	-	4.0511	12" IPS	12.750	12.99	1.159	7.60	6" IPS	6.625	0.603	4.72	30.55	17.64
12EITRS1208	-	4.1682	12" IPS	12.750	12.99	1.159	7.60	8" IPS	8.625	0.785	5.51	30.55	18.15
12EITRS1210	-	4.3405	12" IPS	12.750	12.99	1.159	7.60	10" IPS	10.750	0.977	6.10	30.55	18.90



EIOFIT

ITEM:
EITRS

DESC: LONG SPIGOT 90° REDUCING TEE PE4710 SDR11



DRAWING No:

EL10041

SHEET OF REV.

1 1 -6

C:\Vault_Temp\Disegni\Schede Tecniche\Eiofit inches\Butt Fusion Fittings\EL10041.dwg

All dimensions have to be considered in inches with 5% tolerance if not otherwise mentioned excluding values as per standard ASTM D2513/D3261 and/or AWWA C901/C906

www.nupiamericas.com - info@nupiamericas.com