

ELOFIT ELECTROFUSION FITTINGS

COUPLER SDR 11



ITEM: 12EIME_
SIZE RANGE: ½" IPS ÷ 30" IPS
SDR: 11
FUSION RANGE: For Electrofusion– SDR11 and up
MATERIAL: PE4710 / PE100
COLOR: Black

INSTALLATION INSTRUCTIONS:

Electrofusion - Electrofusion in accordance with ASTM F1290 and NUPI Elofit Installation Manual

LISTINGS: ANSI/NSF 61

STANDARDS: ASTM D2513, ASTM F1055, ASTM D3350, AWWA C901, AWWA C906, FM 1613

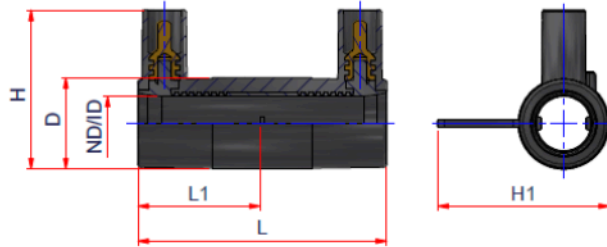
MAXIMUM OPERATING PRESSURE:

PRESSURE RATING (psi) at 73°F					
SDR	Nominal	Water (0.63 DSF)	Water (0.5 DSF)	Gas (0.32 DSF)	Gas (0.4 DSF)
11	230	200	160	100	125

PRODUCT INFORMATION AND APPLICATION USE:

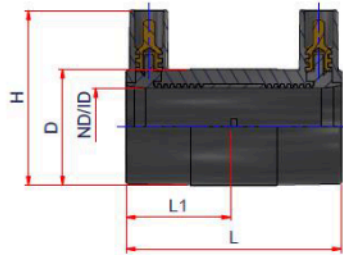
Elofit Electrofusion Fittings are designed to be joined by means of the electrofusion method in accordance with ASTM F1290, MAB procedures and PPI guides. Fittings are manufactured with imbedded resistance elements on each outlet. Dimensions and performance of the fittings are in accordance with the requirements of ASTM D2513, ASTM F1055, AWWA C901/C906. The fittings are designed with sufficient thickness and length of the fusion zone to match the pressure ratings of the corresponding pipe SDR. Fittings are injection molded or assembled/carved from pipe and are black in color. HDPE material is PPI TR-4 listed. Application use: natural gas, water, sewerage, geothermal, industrial applications (Ref.PPI TR-19). Hygienic properties for drinking water systems are conform with NSF 61 requirements.

TYPE A



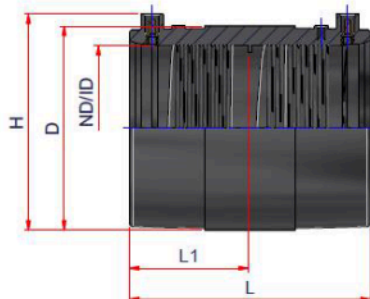
CODE	TYPE	Weight lbs/pc	Volume ft ³ /pc	ND (IPS)	ID	D	L1	L	H1	H
12EIME012	A	0.11	0.007	1/2"	0.84	1.18	1.37	2.76	2.17	2.01

TYPE B



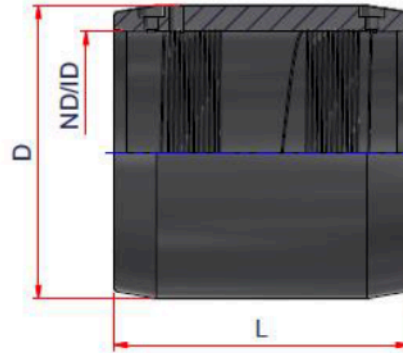
CODE	TYPE	Weight lbs/pc	Volume ft ³ /pc	ND (IPS)	ID	D	L1	L	H	FM APPROVED
12EIME034	B	0.138	0.0065	3/4"	1.05	1.59	1.44	2.95	2.4	
12EIME01	B	0.155	0.0079	1"	1.315	1.79	1.44	2.95	2.59	
12EIME114	B	0.257	0.0133	1 1/4"	1.66	2.28	1.63	3.35	3	
12EIME112	B	0.361	0.018	1 1/2"	1.9	2.64	1.69	3.47	3.4	
12EIME02	B	0.578	0.0263	2"	2.375	3.07	1.89	3.86	3.83	245 PSI

TYPE C



CODE	TYPE	Weight lbs/pc	Volume ft ³ /pc	ND (IPS)	ID	D	L1	L	H	FM APPROVED
12EIME03	C	1.189	0.0758	3"	3.5	4.45	2.83	5.75	5.12	245 PSI
12EIME04	C	1.529	0.1223	4"	4.5	5.51	3.11	6.3	6.09	245 PSI
12EIME06	C	3.538	0.2757	6"	6.625	7.99	3.51	7.09	8.41	245 PSI
12EIME08	C	9.13	0.5589	8"	8.625	10.71	4.17	8.35	10.8	245 PSI

TYPE D



CODE	TYPE	Weight lbs/pc	Volume ft ³ /pc	ND (IPS)	ID	D	L	FM APPROVED
12EIME05	D	3.142	0.1871	5"	5.563	6.85	6.89	
12EIME10	D	15.295	1.0898	10"	10.75	13.31	10.63	245 PSI
12EIME12	D	25.784	1.6104	12"	12.75	15.35	11.81	200 PSI
12EIME14	D	36.422	1.9129	14"	14	16.73	11.81	200 PSI
12EIME16	D	44.733	2.5851	16"	16	18.98	12.4	200 PSI
12EIME18	D	65.267	3.5288	18"	18	21.34	13.39	200 PSI
12EIME20	D	75.9	4.8628	20"	20	23.7	14.96	200 PSI
12EIME22	D	111.467	6.3429	22"	22	26.38	15.75	200 PSI
12EIME24	D	108.9	7.6617	24"	24	28.43	16.38	200 PSI
12EIME28	D	160.687	11.3562	28"	28	33.66	17.32	180 PSI
12EIME30	D	127.726	12.5992	30"	30	33.94	18.9	

MANUFACTURER’S WARRANTY:

Thirty (30) Years from the date of sale upon successful completion of pressure test of the piping system (refer to published warranty for complete details).

NOTE:

* More information can be found on ELOFIT TECHNICAL CATALOGUE

** Technical Data may undergo dimensional changes, check revision at the top